

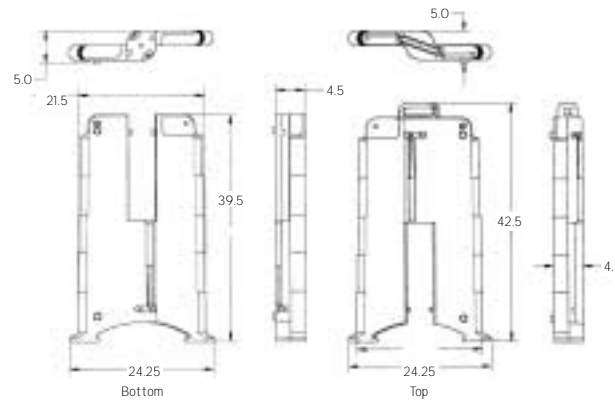


- Four position holes for lights, tape and accessories



- Large ergonomic handle and interlocking stacking buttons

## Specifications:



- Meets NCHRP-350 with light attached
- MUTCD compliant
- Flexible high density polyethylene
- Unique snap-detent mechanism
- Aprox. 14 lbs.
- Sheeting guides
- Accepts conventional ballast

**COGENT™**  
ENTERPRISES, INC.

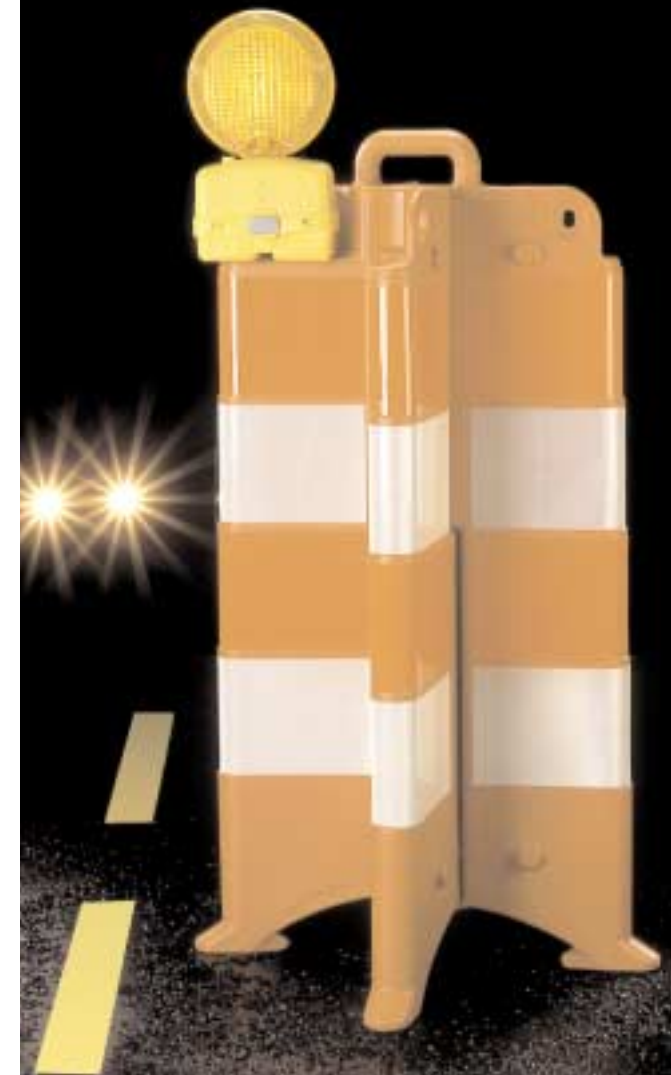
38269 Mound Road, Suite 600  
Sterling Heights, MI 48310

Phone: 586 978-8381  
Fax: 586 446-0074  
[www.cordonator.com](http://www.cordonator.com)

"Another COGENT Idea"

# CORDONATOR™

## Re-Defining the Channelizer

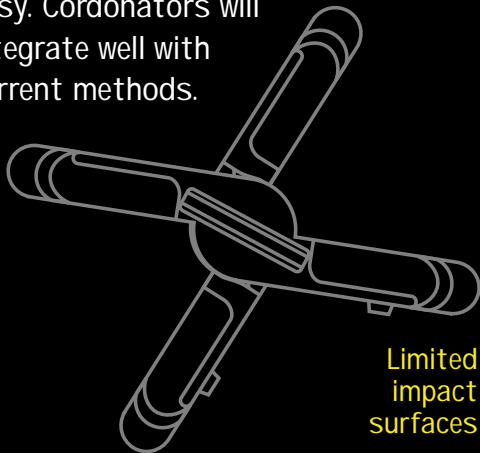


# Nothing stacks up to the Cordonator™

Cordonator folds flat to 4.5" thick, even with lantern attached. This means less worker time in traffic during set-up and retrieval. It also means shipping, handling, labor and storage costs are dramatically reduced.

Ergonomic handling makes cordoning of work zones easier and more productive. Cordonators can be shipped with or without reflective sheeting. They are easily put together or taken apart. A revolutionary ball/detent design snaps the unit in place with a simple twist of the handle.

Flat surfaces and several reflective points make Cordonator highly visible. Reflective sheeting goes on flat and easy. Cordonators will integrate well with current methods.



← 5 cordonators = 22.5" →

**White Cordonators™** blend well with alternate channelizing and work zone devices. They also differentiate special sections of a work zone.



**YellowJacket™** warns people away from hazards. They are a neat and effective way to route traffic inside and outside buildings.



**Quik-Deploy™** when positioned at strategic points, suggest police presence at the work site. Emergency personnel can temporarily mark an accident site in seconds. With strobes attached, they will attract even more attention to the hazard.



[www.cordonator.com](http://www.cordonator.com)



**COGENT™**